

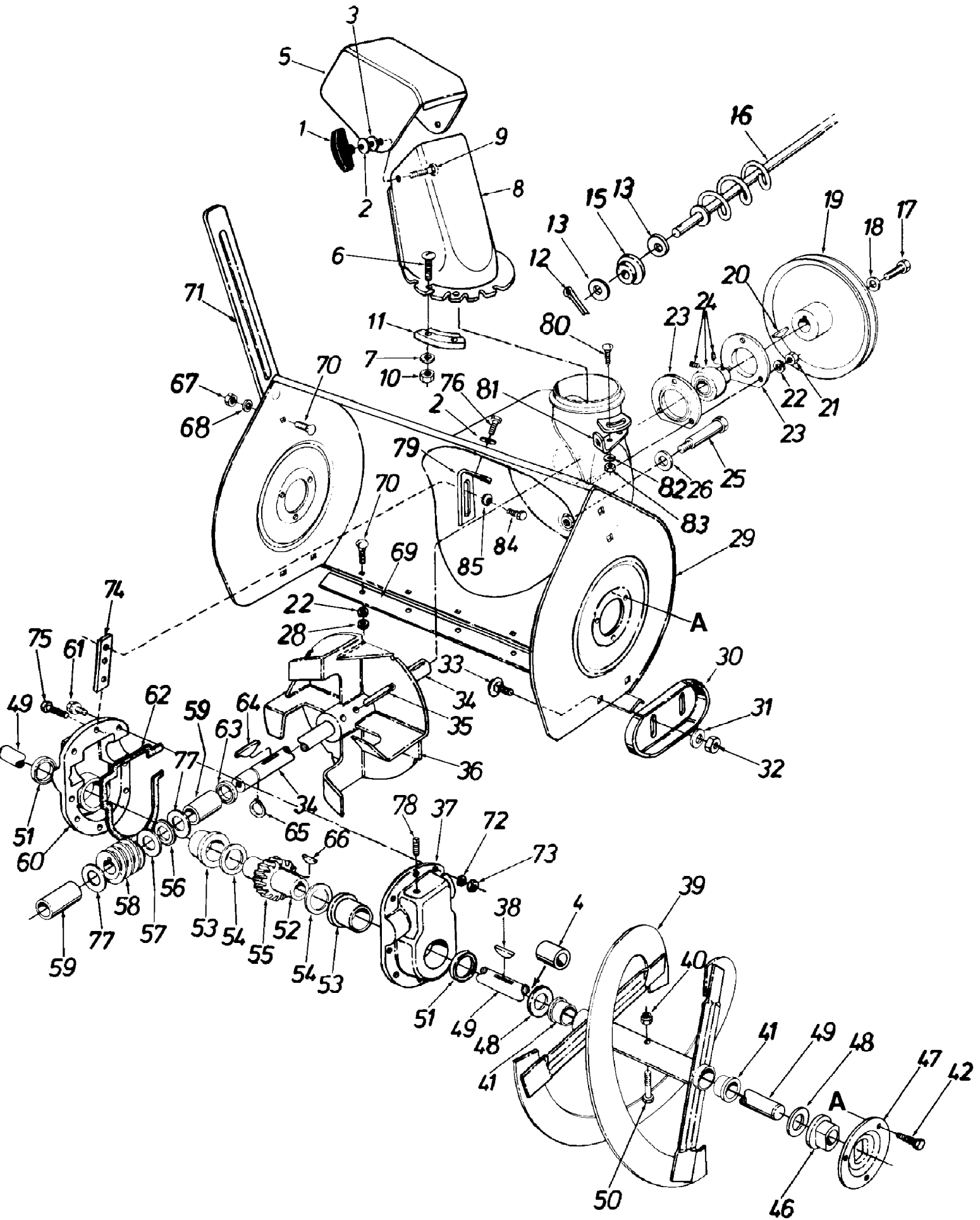
319-850-190 Snow Boss 1010 (1989)
Belt Drive Assembly

Page 2 of 11

Ref #	Part Number	Qty	S/P/F	Description
1	710-0726	1	/P	Hex AB-Tap Scr. 5/16 x .75" Lg.
2	731-0321	1	S	Belt Cover
3	714-0118	1	/P	Sq. Key 1/4" X 1.50" Lg.
4		1		Engine
5	712-0267	1	S	Hex Nut 5/16-18 Thd.
6	736-0119	1	S	L-Wash. 5/16" I.D.*
7	717-0522	1		Engine Spacer Ass'y.
8	736-0105	1	/P	Bell-Wash. .40 I.D. x .88 O.D.
9	738-0215	1	S	Shld. Bolt .498" Dia. x 3.00" Lg.
10	732-0303	1	S	Ext. Spring .38 O.D. x 3.18" Lg.
11	712-0375	1	/P	Hex Cent. L-Nut 3/8-16 Thd.
12	05491A	1		Engine Brkt. Ass'y.
13	710-0198	1	S	Hex Sems Scr. 5/16-18 x .75" Lg.*
14	784-5129B	1		Frame Ass'y.
15	736-0264	1	S	FI-Wash. .345 I.D. x .75 O.D. x .060
16	710-0378	1	/P	Hex Bolt 5/16-18 x 2.50" Lg.
17	736-0217	1	S	L-Wash. 3/8" I.D. H.D.
18	710-0555	1	S	Pilot Scr. 3/8-16 x .88" Lg.
19	736-0119	1	S	L-Wash. 5/16" I.D.
20	712-0267	1	S	Hex Nut 5/16-18 Thd.
21	712-0798	1	/P	Hex Nut 3/8-16 Thd.*
22	736-0217	1	S	L-Wash. 3/8" I.D. H.D.
23	738-0143	1	/P	Shld. Bolt .498" Dia. x .340" Lg.
24	756-0344	1	/P	V-Pulley .628 I.D. x 7.50 O.D.
25	736-0158	1	S	L-Wash. for 5/8" I.D.*
26	712-0221	1		Hex Ins. Jam L-Nut 5/8-18 Thd.
27	05510	1	S	Brake Brkt. Ass'y.
28	738-0129	1		Shld. Bolt .498" Dia. x 2.00" Lg.
29	756-0243	1		V-Pulley .875 I.D. x 10.12 O.D.
30	754-0194	1	S	"V"-Belt
31	712-0116	1	S	Hex Ins. Jam L-Nut 3/8-24 Thd.
32	756-0240	1		FI-Idler w/Flanges 3.0 O.D.
33	05531	1	S	Brake Linkage Ass'y.
34	712-0116	1	S	Hex Ins. Jam L-Nut 3/8-24 Thd.
35	756-0240	1		3.0" O.D. FI-Idler w/Flanges
36	714-0507	1	S	Int. Cot. Pin 3/32" Dia.
37	738-0282	1		Shld. Bolt .625" Dia. x 2.750" Lg.
38	750-0227	1		Spacer .75 O.D. x 1.00" Lg.
39	05493	1		Blower Idler Brkt. Ass'y.
40	747-0149	1		Auger Clutch Rod .31" Dia. x 10.62" Lg.
41	710-0191	1	/P	Hex Bolt 3/8-24 x 1.25" Lg.
42	736-0217	1	S	L-Wash. 3/8" I.D. H.D.
43	07386	1		FI-Wash.
44	756-0241B	1	/P	Engine Pulley-Double Groove
45	754-0131	1	S	"V"-Belt
46	710-0237	1	/P	Hex Bolt 5/16-24 x .62" Lg.
47	736-0242	1	/P	Bell-Wash. .345 I.D. x .88 O.D. x .060
48	05495	1		Drive Idler Brkt. Ass'y.
49	738-0281	1	S	Shld. Bolt-.625" Dia. x .170" Lg.
50	736-0219	1	S	Bell-Wash. .40 I.D. x 1.12 O.D.
51	736-0117	1	S	FI-Wash. .385" I.D. x .620" O.D.
52	737-0130	1	S	Pipe Nipple-1/41' Pipe Thd. x 3.5" Lg.
53	737-0132	1		1/4-18 Pipe Thd.

319-850-190 Snow Boss 1010 (1989)
Belt Drive Assembly

Ref #	Part Number	Qty	S/P/F	Description
54	736-0264	1	S	Fl-Wash. .340 I.D. x .62 O.D. x .62
55	714-0104	1	S	Int. Cot. Pin 5/16" Dia.
	725-0954	1	S	Ignition Key (Not Shown)



319-850-190 Snow Boss 1010 (1989)
Chute Assembly

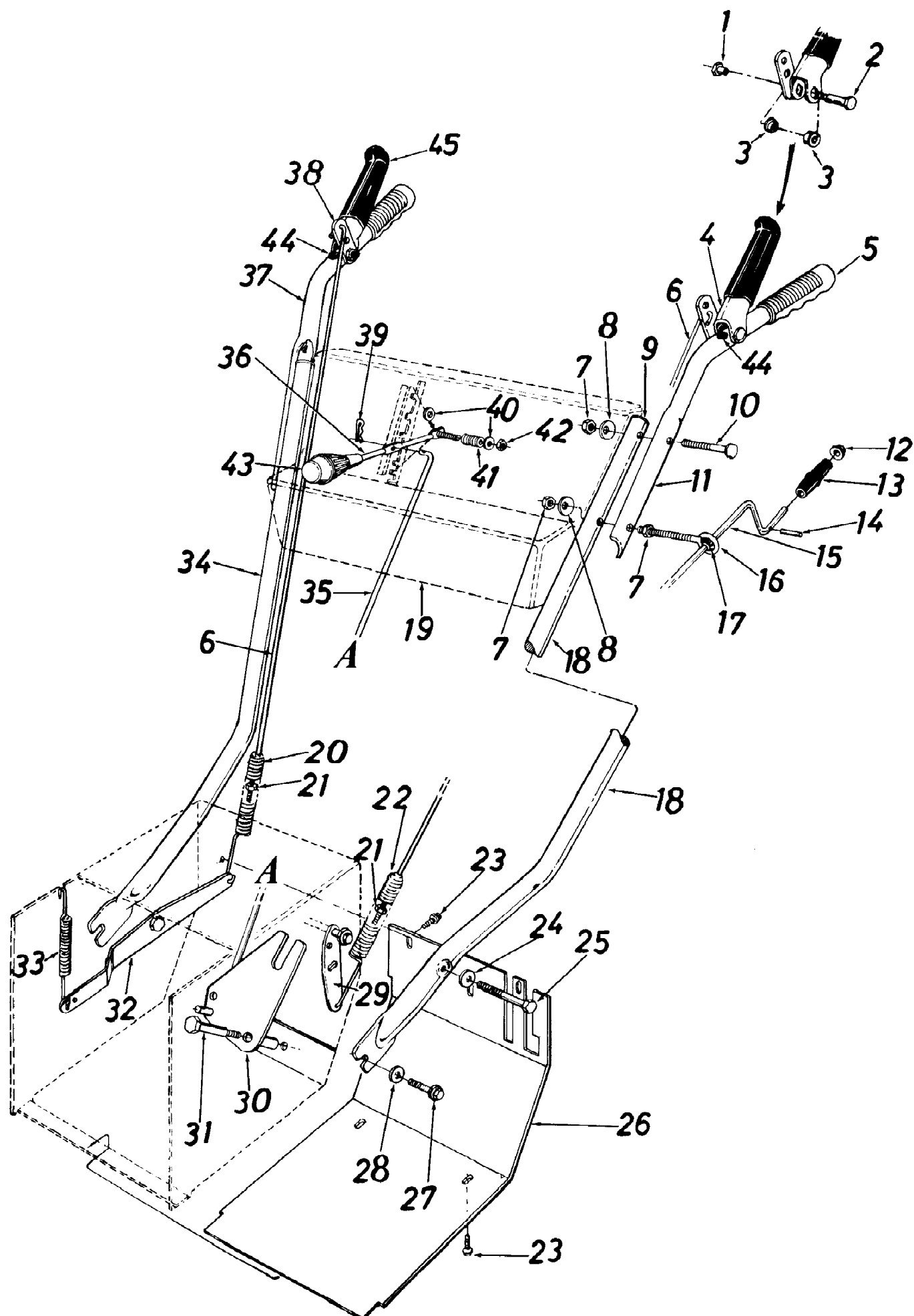
Page 5 of 11

Ref #	Part Number	Qty	S/P/F	Description
1	09966	1	S	Hand Knob Ass'y.
2	736-0242	1	/P	Bell-Wash. .345 I.D. x .88 0 O.D. x .060
3	736-0231	1	S	Fl. Wash. .312 I.D. x 1.125 0 O.D. x .125
4	750-0653	1		Spacer
5	731-0846B	1	S	Top Chute
6	710-0255	1	S	Truss Mach. Scr. 1/4-20 x .75"
7	736-0142	1	S	FI-Wash. 1/4" I.D.
8	731-0840B	1	S	Chute
9	710-0276	1	/P	Carr. Bolt 5/16-18 x 1.00" Lg.
10	712-0107	1	S	Hex Cent. L-Nut 1/4-20 Thd.
11	731-0851	1	S	Chute Flange Keeper
12	714-0507	1	S	Cotter Pin
13	736-0140	1	S	FI-Wash. .385" I.D. x .62"
15	741-0475	1	S	Bushing
16	05981	1		Chute Crank Ass'y.
17	710-0371	1	/P	Hex L-Scr. 5/16-18 x .88" Lg.
18	736-0242	1	/P	Bell-Wash. .345 I.D. x .88
19	756-0243	1		V-Pulley .875 I.D. x 10.12
20	714-0126	1	S	#9 Hi-Pro Key 3/16 x 3/4" Dia.
21	712-0267	1	S	Hex Nut 5/16-18 Thd.
22	736-0119	1	S	L-Wash. 5/16" I.D.*
23	05244	1	S	Bearing Hsg.-Self Aligning Brg.
24	741-0185	1	S	Self Aligning Brg. .875 I.D.
25	711-0640	1	S	Stud 3/8-16 x 2.75" Lg.
26	736-0105	1	/P	Bell-Wash. .400 I.D. x .88 0 O.D. x .060
28	712-0267	1	S	Hex Nut 5/16-18 Thd.
29	705-5082	1		Blower Hsg. Ass'y.
30	784-5038A	1	S	Slide Shoe
31	736-0105	1	/P	Bell-Wash. .400 I.D. x .88 0 O.D. x .060
32	712-0342	1	/P	Hex Jam Nut 3/8-16 Thd.
33	710-0790	1	S	Carr. Bolt 3/8-16 x .62" Lg.
34	738-0276	1		Blower Axle
35	715-0118	1	S	Spring Pin Spiral 5/16" Dia. x 1.75" Lg.
36	05812	1		Blower Fan Ass'y.
37	717-0297	1	S	Complete Gear Hsg. Half- 0 L.H. (Incl. Bearing)
38	714-0135	1	S	#91 Woodruff Key 1/4" X 3/4" Dia.
39	05463	1		Spiral Ass'y.-L.H.
	05464	1		Spiral Ass'y-R.H.
40	712-0429	1	S	Hex Ins. L-Nut 5/16-18 Thd.
41	741-0494	1		Plastic Bushing
42	710-0726	1	/P	Hex Wash. Hd. Self-Tap Scr. 5/16-24 x .62" Lg.
46	741-0192	1		Flange Brg. w/Flats 1.0" I.D.
47	05845	1	S	Bearing Hsg.-Spiral Hsg.
48	736-0250	1	/P	FI-Wash. 1.06 I.D. x 1.75" O.D. x .100
49	738-0493	1		Spiral Axle
50	710-0891	1	/P	Hex Bolt 5/16-18 x 1.75" Lg.
51	721-0146	1	S	Oil Seal 1.50" I.D.
52	738-0275	1		Worm Gear Shaft
53	741-0182	1		Flange Brg. 1.503 I.D.
54	736-0266	1		Flange Brg. 1.503 I.D. x 2.0 O.D.

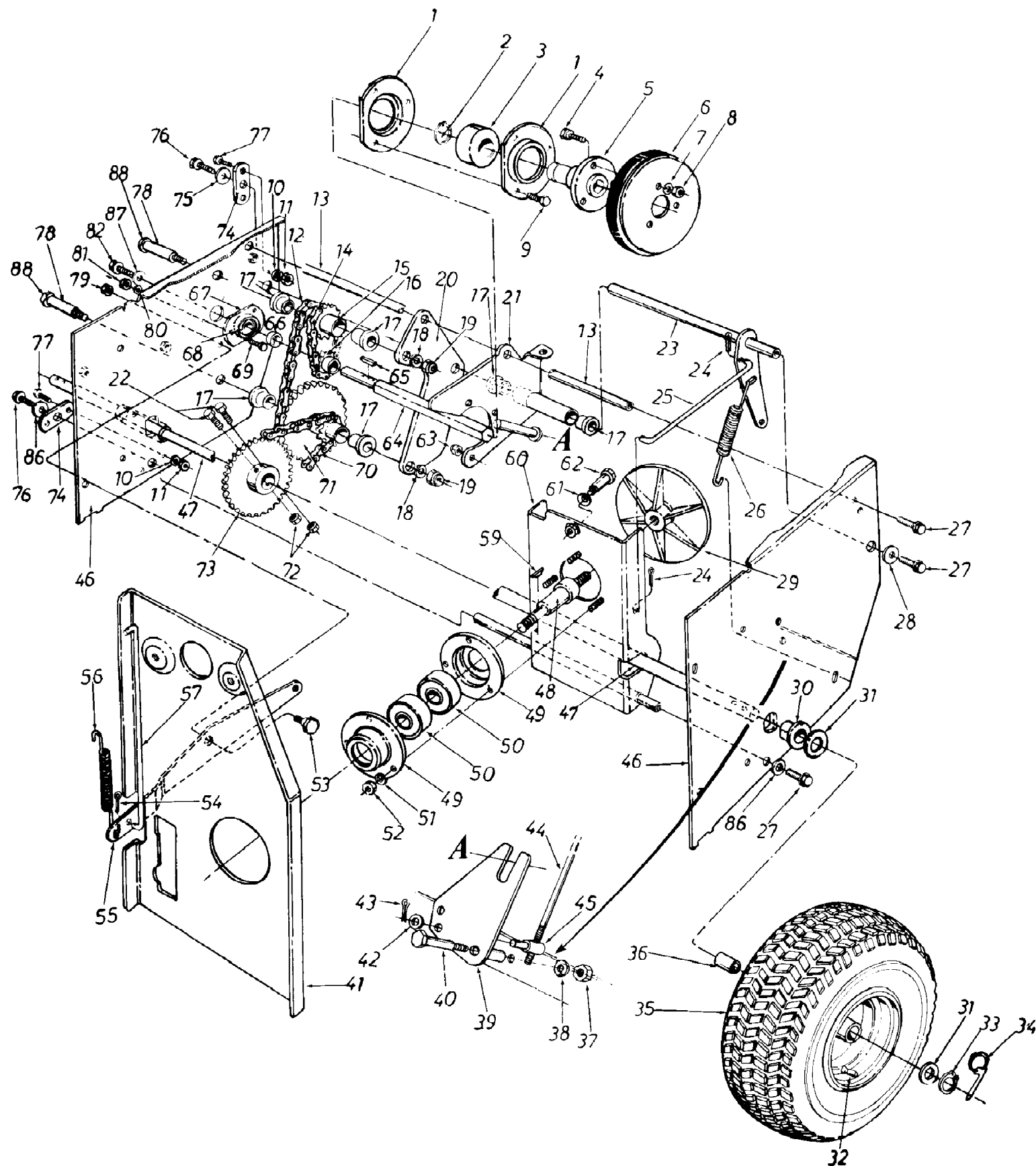
319-850-190 Snow Boss 1010 (1989)
Chute Assembly

Page 6 of 11

Ref #	Part Number	Qty	S/P/F	Description
55	717-0300	1	S	Double Threaded Worm Gear
56	741-0184	1		Thrust Brg. .88 I.D. x 1.44 O.D. x .078
57	736-0291	1	S	FI-Wash. .88 I.D. x 1.40 O.D.
58	717-0299	1	S	Double Threaded Worm-L.H.
59	741-0217	1	S	Sleeve Brg. .875 I.D.
60	717-0298	1	S	Complete Gear Hsg. Half- 0 R.H. (Incl. Ref. Nos. 51 & 53)
61	710-0376	1	/P	Hex Bolt 5/16-18 x 1.0" Lg.
62	721-0144	1	S	Gasket
63	721-0145	1	S	Oil Seal .875" I.D.
64	714-0126	1	S	#9 Hi-Pro Key 3/16 x 3/4" Dia.
65	716-0111	1	/P	Snap Ring-.875" Dia.
66	714-0135	1	S	#91 Woodruff Key 1/4 x 3/4" Dia.
67	712-0267	1	S/F	Hex Nut 5/16-18 Thd.*
68	736-0119	1	S/F	L-Wash. 5/16" I.D.*
69	705-5084	1	S	Shave Plate-28"
70	710-0260	1	S/F	Carr. Bolt 5/16-18 x .62" Lg.
71	05139	1	S/F	Drift Cutter
72	736-0271	1	S	Wave Wash. 5/16" I.D.
73	712-0429	1	S	Hex Ins. L-Nut 5/16-18 Thd.
74	784-5075	1		Gear Hsg. Support Plate
75	710-0528	1	/P	Hex Bolt 5/16-18 x 1.25"*
76	710-0726	1	/P	Hex Wash. Hd. Self-Tap Scr. 5/16-18 x .75" Lg.
77	736-0291	1	S	FI-Wash. .88 I.D. x 1.40 O.D.
78	737-0175	1		Filler Plug
79	784-5076	1	S	Gear Hsg. Support Brkt.
80	710-0451	1	/P	Carr. Bolt 5/16-18 x .75" Lg.
81	784-5123	1	S	Chute Crank Bracket
82	736-0242	1	/P	Bell-Wash. .345 I.D. x .88"
83	712-0267	1	S	Hex Nut 5/16-18 Thd.
84	710-0412	1	/P	Hex Bolt 1/4-28 x .75" Lg.*
85	736-0270	1	/P	Bell-Wash. .28" I.D. x .75" O.D.



Ref #	Part Number	Qty	S/P/F	Description
1	738-0561	1	S	Shld. Nut 1/4-20 Thd.
2	738-0560	1	S	Shld. Bolt .374 Dia. x 1.375" Lg
3	741-0402	1	S	Hex Flange Plastic Bearing .38" I.D.
4	05987	1		Clutch Grip Ass'y.-L.H.
5	720-0220	1		Grip-Red
6	747-0461	1		Lockout Rod
7	712-0267	1	S	Hex Nut 5/16-18 Thd.
8	736-0242	1	/P	Bell-Wash. .34" I.D. x .88" O.D.
9	731-0496	1		Plastic Plug
10	710-0487	1	/P	Curved Carriage Bolt 5/16-18 x 2.0" Lg.
11	749-0595	1		Upper Handle-L.H. (Painted)
12	726-0100	1	S	Push Nut 3/8" Rod
13	720-0201A	1	/P	Knob 3/8" Rod
14	715-0138	1	S	Roll Pin .12 Dia. x .631" Lg.
15	05980	1		Chute Crank Ass'y.
16	747-0416A	1	/P	Eye Bolt 5/16-18 x 5.0" Lg.
17	741-0475	1	S	Plastic Bushing
18	749-0405	1		Lower Handle-L.H. (Painted)
19	784-5451	1		Handle Panel Ass'y.
20	732-0463	1	S	Extension Spring .75" O.D. x 5.0" Lg.
21	712-0324	1	/P	Hex Ins. L-Nut 1/4-20 Thd.
22	732-0184	1	/P	Extension Spring .75" O.D. x 5.0" Lg.
23	710-0600	1	/P	Hex Wash. Hd. Self-Tap Scr. 5/16-24 x .50" Lg.
24	736-0105	1	/P	Bell-Wash. .40" I.D. x .88" O.D.
25	710-0427	1	S	Hex Bolt 3/8-16 x 2.0" Lg.
26	784-5131	1		Frame Cover
27	710-0555	1	S	Pilot Hex Scr. 3/8-16 x .88" Lg.
28	736-0105	1	/P	Bell-Wash. 40" I.D. x .88" O.D.
29	05500	1		Drive Clutch Brkt. Ass'y.
30	784-5133	1		Shifting Linkage Brkt. Ass'y.
31	738-0129	1		Shld. Bolt .498 Dia. x 2.0" Lg.
32	05518	1		Auger Clutch Brkt.
33	732-0303	1	S	Extension Spring .38" O.D. x 3.18" Lg.
34	749-0406	1		Lower Handle-R.H. (Painted)
35	747-0356A	1		Shifting Rod
36	747-0696	1		Shift Handle
37	749-0596	1		Upper Handle-R.H. (Painted)
38	05988	1		Clutch Grip Ass'y.-R.H.
39	714-0104	1	S	Int. Cotter Pin 5/16" Dia.
40	736-0264	1	S	FI-Wash. .344" I.D. x .62" O.D.
41	732-0193	1	/P	Compression Spring
42	712-0429	1	S	Hex Ins. L-Nut 5/16-18 Thd.
43	720-0218	1	/P	Knob
44	726-0247	1	S	Push Cap
45	731-0473	1		Black Vinyl Grip



Ref #	Part Number	Qty	S/P/F	Description
1	05794	1		Bearing Housing
2	716-0102	1	S	Snap Ring-1.0" Dia.
3	741-0301	1	S	Ball Brg. .25MM x 52MM x 15MM Thk.
4	710-0198	1	S	Hex Sems Bolt 5/16-18 x .75" Lg. *
5	748-0281	1		Friction Wheel Adapter
6	05080A	1	S	Friction Wheel Ass'y.
7	736-0119	1	S	L-Wash. 5116" I.D.*
8	712-0267	1	S	Hex Nut 5/16-18 Thd.*
9	710-0195	1	S	Hex Bolt 1/4-28 x .62" Lg.*
10	736-0329	1	S	L-Wash. 1/4" I.D.*
11	712-0287	1	S	Hex Nut 1/4-20 Thd.*
12	713-0270	1		#41 Chain-1/2" Pitch x 43 Links
	713-0723	1	S	Master Link (Service Only)
13	738-0278	1		Sliding Support Axle
14	713-0199	1		#41 Chain-1/2" Pitch x 19 Links
	713-0723	1	S	Master Link (Service Only)
15	713-0193	1	S	9 and 14 Teeth Sprocket Hub Ass'y.
16	748-0204	1	/P	8 Teeth Sprocket
17	748-0184	1	/P	Flange Bearing .63" I.D.
18	736-0217	1	S	L-Wash. 3/8" I.D.-H.D.
19	712-0116	1	S	Hex L-Jam Nut 3/8-24 Thd.
20	05520	1		Chain Support Brkt.
21	784-5137	1		Sliding Brkt. Ass'y.
22	710-0409	1	/P	Hex Bolt 5/16-24 x 1.75" Lg.
23	05500	1		Drive Clutch Brkt. Ass'y.
24	714-0104	1	S	Inter. Cot. Pin 5/16" Dia.*
25	747-0150	1		Drive Clutch Rod .31" Dia. x 7.38" Lg.
26	732-0121	1	S	Extension Spring 4.31" Lg.
27	710-0538	1	/P	Hex L-Bolt 5/16-18 x .62"
28	736-0264	1	S	FI-Wash. .345" I.D. x .75" O.D.
29	717-0302	1	S	Aluminum Drive Plate
30	741-0192	1		Flange Brg. w/Flats
31	736-0163	1	S	Thrust Washer 1.03" I.D.
32	734-0255	1	S	Tubeless Air Valve
33	716-0102	1	S	Snap Ring 1.0" Shaft
34	714-0151	1		Klick Pin
35	734-1531	1		Wheel Ass'y. Comp. 16 x 4.8
	734-1530	1		Tire Only
	734-1532	1		Rim Only
36	741-0246	1		Bearing 1.0" I.D.
37	712-0342	1	/P	Hex Jam Nut 3/8-16 Thd.
38	736-0169	1	S	L-Wash. 3/8" I.D.*
39	784-5133	1		Shifting Linkage Brkt. Ass'y.
40	738-0129	1		Shld. Bolt .498" Dia. x 2.005" Lg.
41	05491	1		Engine Brkt. Ass'y.
42	736-0264	1	S	FI-Wash. .344" I.D. x .62" O.D.
43	714-0507	1	S	Cotter Pin 3/32" Dia. x .75" Lg.
44	747-0356	1		Shifting Rod
45	711-0628A	1		Adjustment Ferrule
46	784-5129B	1		Frame Ass'y.
47	738-0548	1		Free Wheeling Axle
48	738-0279	1		Drive Plate Spindle
49	08253			

319-850-190 Snow Boss 1010 (1989)
Wheel Chain Drive Assembly

Page 11 of 11

Ref #	Part Number	Qty	S/P/F	Description
50	741-0919	1	S	Ball Brg. .787" I.D. x 1.85" O.D.
51	736-0119	1	S	L-Wash. 5/16" I.D.
52	712-0267	1	S	Hex Nut 5/16-18 Thd.*
53	738-0281	1	S	Shld. Bolt .625" Dia. x .170" Lg.
54	714-0104	1	S	Inter. Cotter Pin 5/16" Dia.
55	05518	1		Auger Clutch Brkt.
56	732-0303	1	S	Extension Spring .38" O.D. x 3.18" Lg.
57	747-0149	1		Auger Clutch Rod .31" Dia. x 10.62" Lg.
59	714-0388	1	S	#61 Hi-Pro Key 3/16" x 5/8" Dia.
60	05497	1		Drive Plate Mtg. Brkt. Ass'y.
61	736-0105	1	/P	Bell-Wash. .44" I.D. x .88" O.D.
62	738-0144	1	S	Shld. Bolt
63	712-0896	1		Hex Ins. Jam Nut 1/4-28 Thd.
64	738-0280	1		Hex Shaft
65	714-0129	1	S	#9 Hi-Pro Key 3/32" x 5/8" Dia.
66	750-0277	1		Spacer .51" I.D. x .69" O.D.
67	05034	1	S	Bearing Housing
68	741-0133	1	/P	Ball Bearing
69	710-0258	1	S	Hex Bolt 1/4-20 x .62" Lg.*
70	713-0269	1	S	#420 Chain 50n Pitch x 37 Links
	713-0154	1	S	Master Link
71	713-0194	1	S	9 and 32 Teeth Sprocket Hub Ass'y.
72	712-0273	1	S	Hex L-Nut 5/16-24 Thd.
73	713-0320	1		28 Teeth Sprocket Hub Ass'y.
74	05523	1		Pivot Axle Brkt.
75	736-0264	1	S	FI-Wash. .345" I.D. x .75"
76	710-0538	1	/P	Hex L-Bolt 5/16-18 x .62"
77	710-0258	1	S	Hex Bolt 1/4-20 x .62" Lg.*
78	750-0275	1		Sprocket Hub Tubing 1.88"
79	712-0375	1	/P	Hex Cent. L-Nut 3/8-16 Thd.
80	736-0329	1	S	L-Wash. 1/4" I.D.
81	712-0287	1	S	Hex Nut 1/4-20 Thd.*
82	710-0538	1	/P	Hex L-Bolt 5/16-18 X .62"
86	736-0159	1	S	FI-Wash. .344" I.D. x .875"
87	736-0242	1	/P	Bell-Wash. .345" I.D. x .88"
88	710-0629	1		Hex Bolt 3/8-24 X 2.75" Lg.